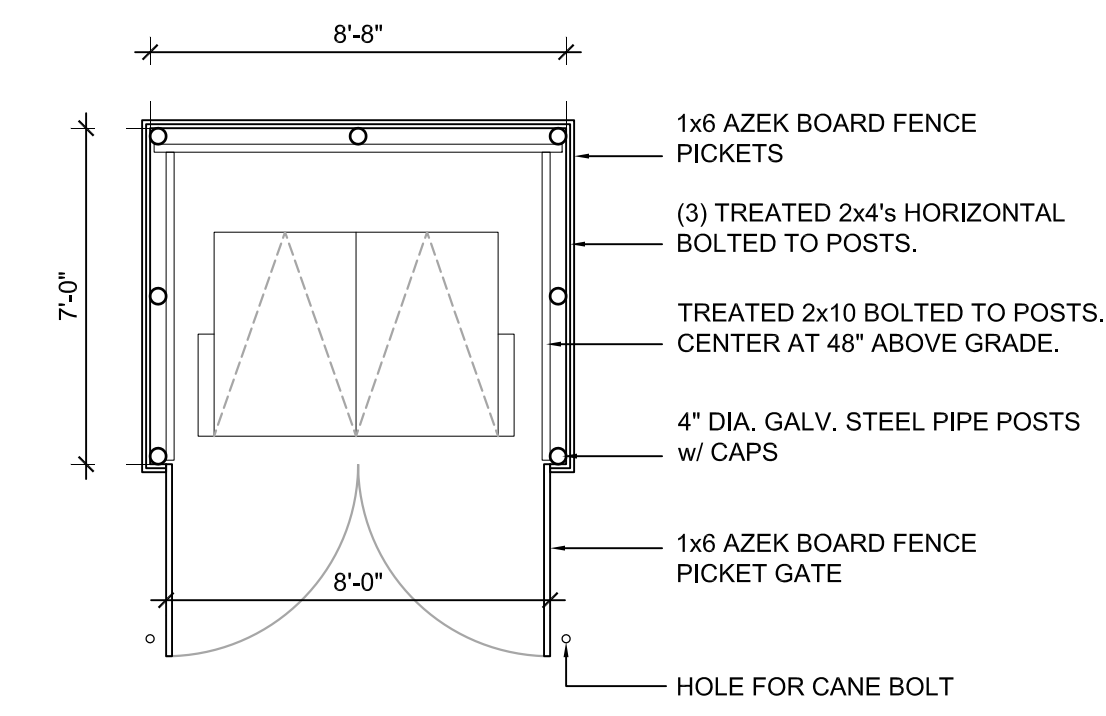




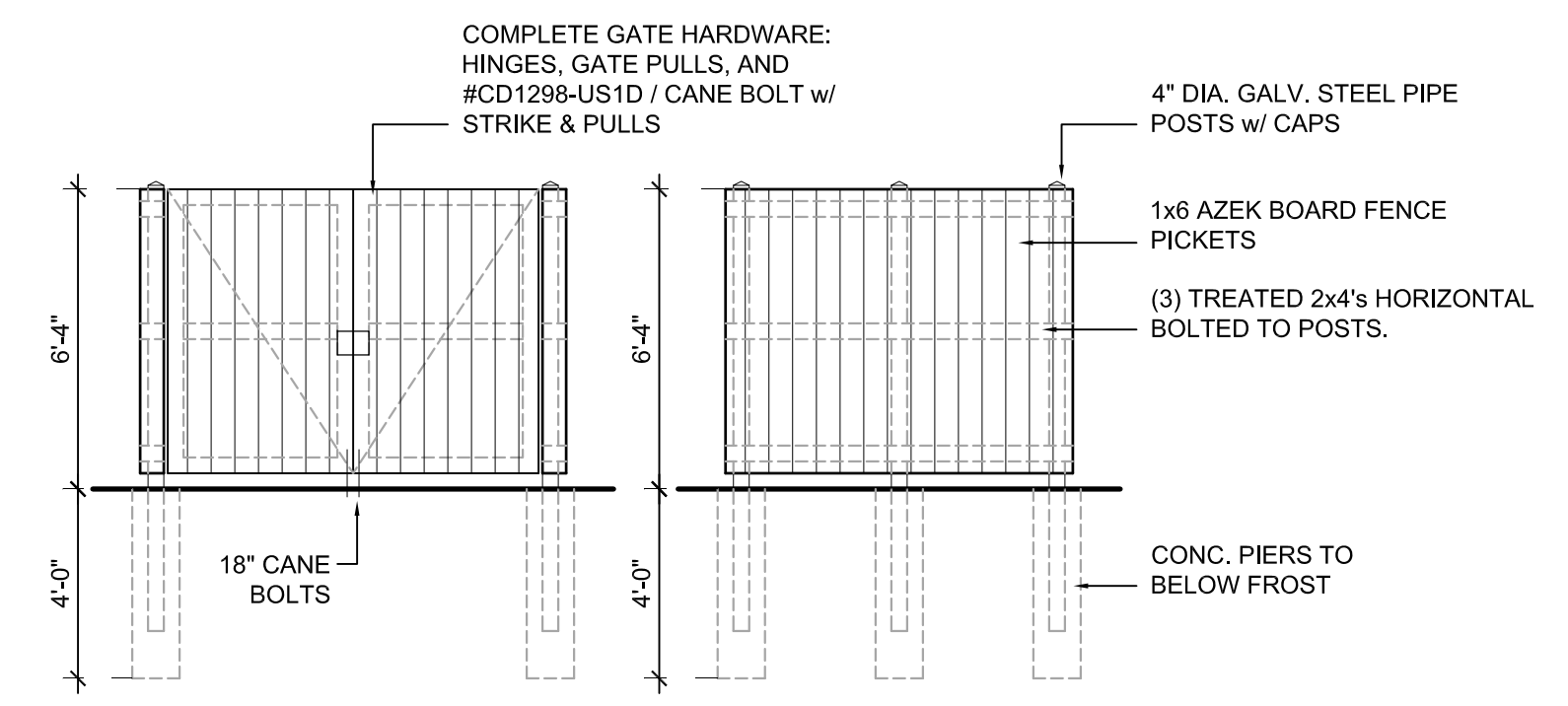


**SOUTH ELEVATION**  
SCALE: 1/4" = 1'-0"



**TRASH ENCLOSURE PLAN**  
1/4" = 1'-0"

ALTERNATELY:  
PROVIDE & INSTALL A TREX SECLUSIONS  
COMPOSITE FENCING PANELS, POSTS AND  
GATE DUMPSTER ENCLOSURE.



**TRASH ENCLOSURE ELEVATIONS**  
1/4" = 1'-0"



**WEST ELEVATION**  
SCALE: 1/4" = 1'-0"





Note: This drawing is an artistic interpretation of the general appearance of the design. It is not meant to be an exact rendition.





Note: This drawing is an artistic interpretation of the general appearance of the design. It is not meant to be an exact rendition.