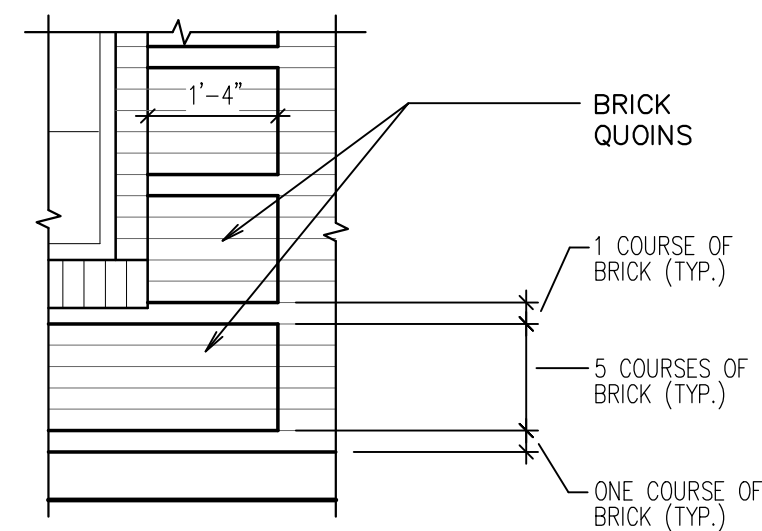
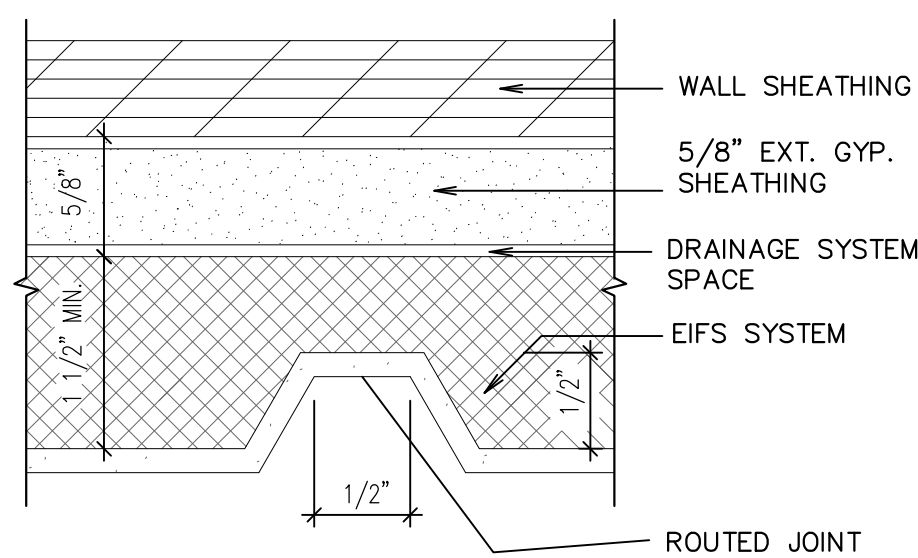


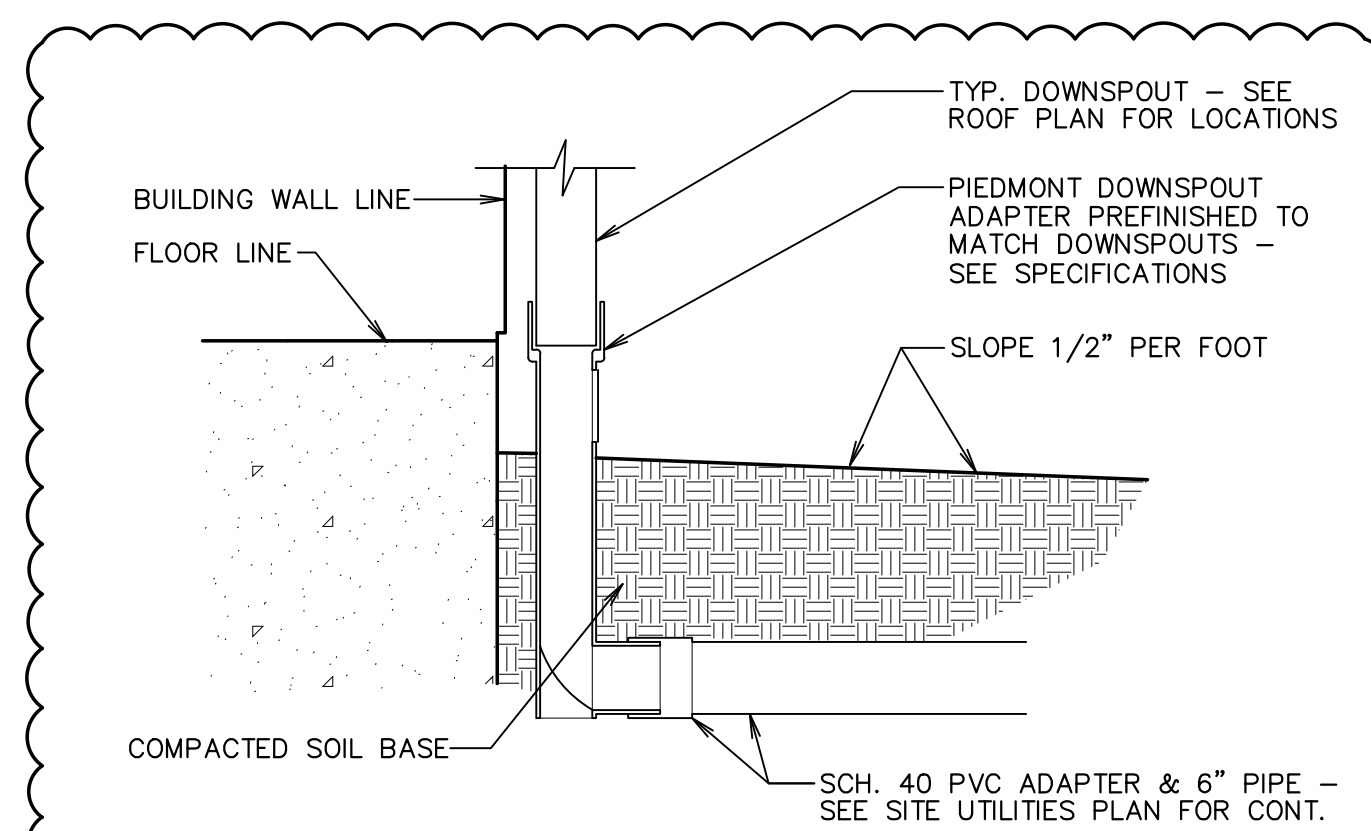
A BRICK QUINS @ CORNERS
1/2" = 1'-0"



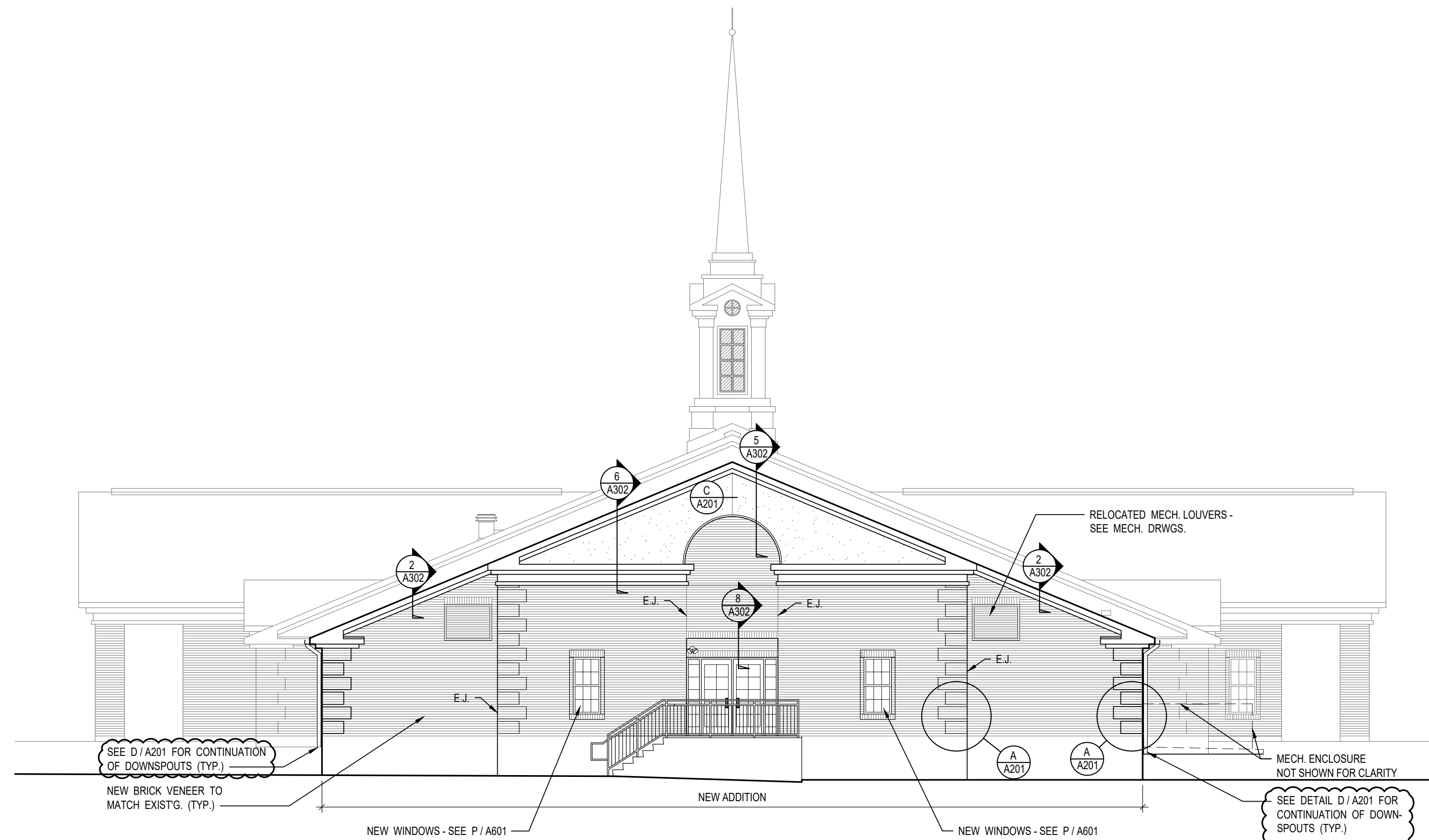
B BRICK QUINS @ WINDOWS
1/2" = 1'-0"



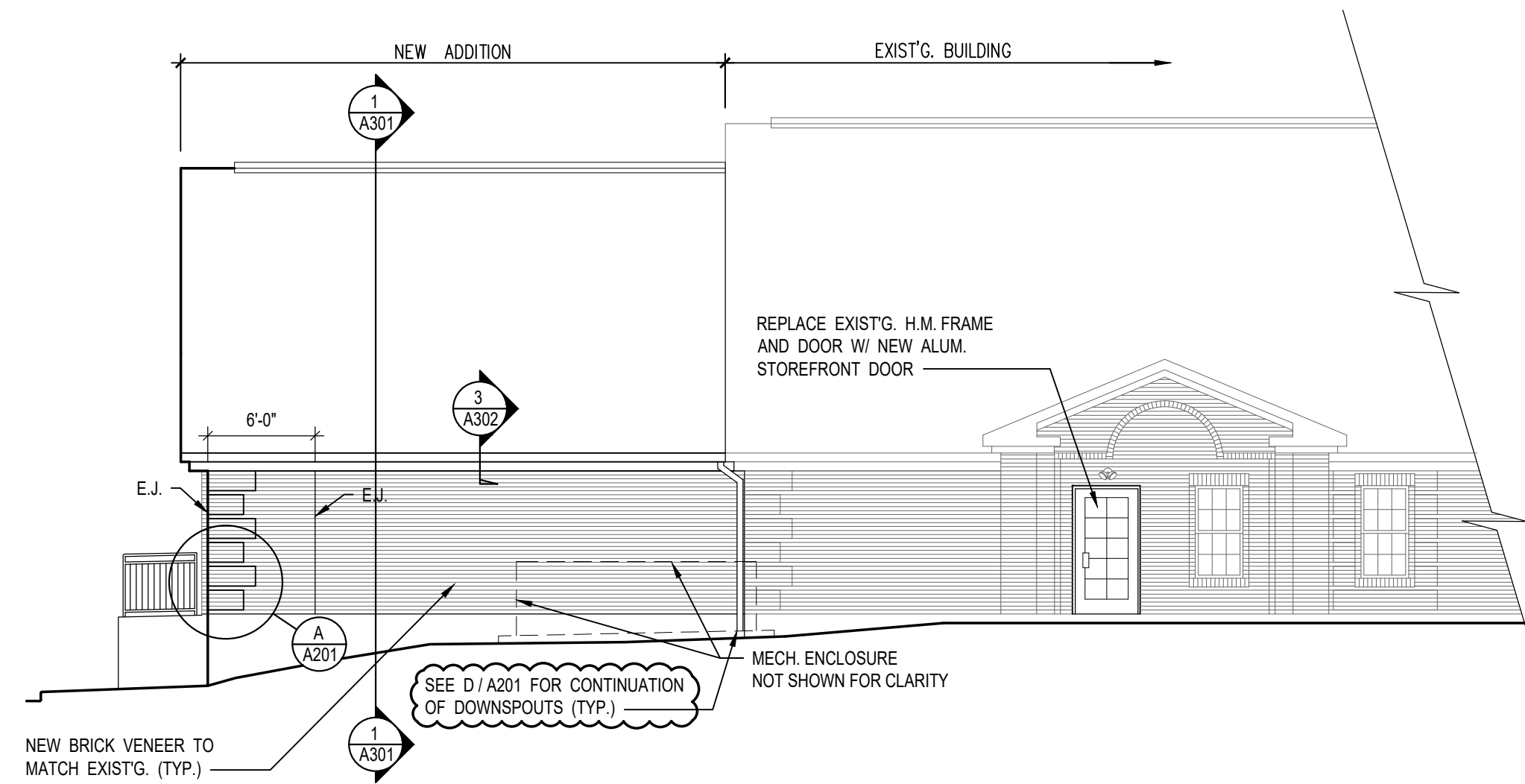
C JOINT DETAIL
FULL



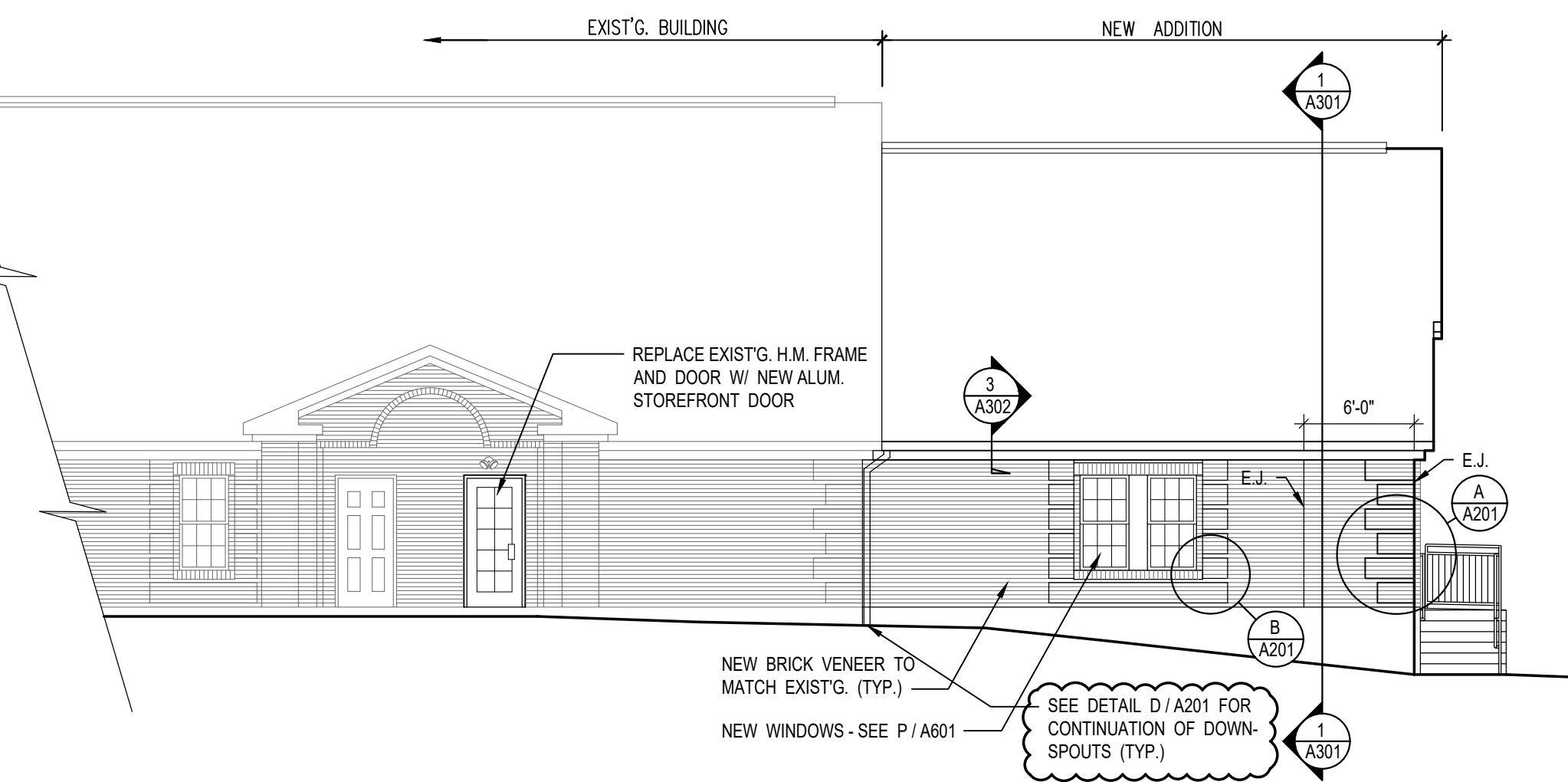
D DOWNSPOUT TO UNDERGROUND
1" = 1'-0"



1 EAST ELEVATION
1/8" = 1'-0"



2 NORTH ELEVATION
1/8" = 1'-0"



3 SOUTH ELEVATION
1/8" = 1'-0"